



Innovative door products

## SPRINGLESS SECTIONAL DOOR - MODEL SDS

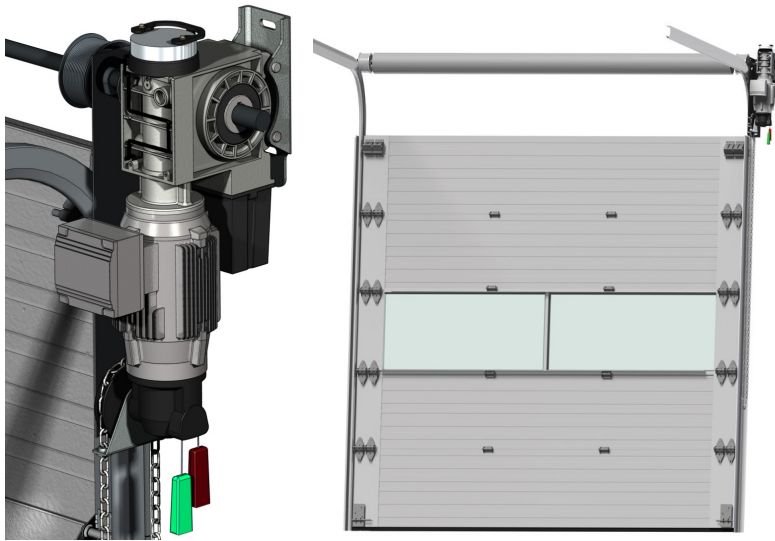


### High Performance Sectional Doors

- Manufactured, configured, stocked and assembled in Canada
- High performance and high speed for years of trouble free service and energy savings
- Using high quality components, the system can move doors up to 24" per second
- Paired with the SDI Safedrive<sup>®</sup> operator for enhanced safety and performance



# Springless Sectional Doors



## FEATURES

High speed and low maintenance costs with energy efficiency to maximize your return on investment

All components are proven through many years of trouble free high cycle applications

The springless design requires no center mounting supports and eliminates the cost of spring replacement

Standard Maintenance items such as limit and door level adjustments are made from the floor level, without the use of a lift

Local manufacturing and inventory ensure parts and service availability to minimize costs

A wide range of door face options can match the exterior of any project

Emergency chain hoist built in

UL325 approved panel & reflective photocell

Wireless air wave safety edge included

### Specifications

Power Required	230v 1ph 60 hz	
Transformers Available	115v / 208v / 460v / 575v	
Max Door Height	18'	
Model	Door Weight	Speed
SDS-400-24	400 lbs	24" per second
SDS-575-15	575 lbs	15" per second
Warranty	1 Year	

## STANDARD PACKAGE

Safedrive® Operator



High Cycle Rollers



Control Panel UL325 Approved



Photoreflexive Photo Eye UL325 Approved



Barrel



## CAR WASH PACKAGE

Stainless steel control panel



Thru-beam car wash photocell



Drive with covered brake



Powdercoated Barrel

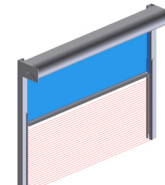


Powdercoated Track & Hardware



## SAFETY OPTIONS

Light Curtain



Motion Detector

